

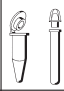




Rotors for M-240 and M-240 R

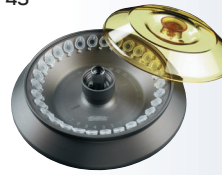
40°





Angle rotor, 24-place
Cat. No. 02424B
 n= 15,000 min⁻¹,
 max RCF 21.382
 Lid OE3243 incl.

capacity in ml	1.5	0.5/0.8	0,2 /0.4	2.0
dimensions Ø x L mm	11x38	8x30/45	6x18/45	11x38
				
n=15,000 min ⁻¹ Cat.-No. 02424B	with high speeds we recommend to use adapter No. 02031			
Cat.-No.	—	02023	02024	—
tubes per rotor	24			
RCF	21,382			
radius in mm	85			
run-up in sec.	20			
run-down in sec. ²⁾	28			
temperature °C ¹⁾	+4			

45°





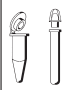




Angle rotor, 30-place,
Cat. No. 02430B
 n= 15,000 min⁻¹
 max RCF 20.376
 Lid OE3243 incl.

capacity in ml	0,5
dimensions Ø x L mm	8 x 30
	
n=15,000 min ⁻¹ Cat.-No. 02430B	
Cat.-No.	—
tubes per rotor	30
RCF	20,376
radius in mm	81
run-up in sec.	19
run-down in sec. ²⁾	28
temperature °C ¹⁾	+4

45°



Angle rotor, 24-place
Cat. No. 02428
 n= 15,000 min⁻¹,
 max RCF 21,382
 Lid with bio-containment,
 autoclavable, phenol-re-
 sistant incl.



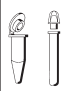


capacity in ml	1.5	0.5/0.8	0,2 /0.4	2.0	1.5	2.0
dimensions Ø x L mm	11x38	8x30/45	6x18/45	11x38	micro spin columns 11x38	
						
n=15,000 min ⁻¹ Cat.-No. 02428	with high speeds we recommend to use adapter No. 02031				with high speeds we recommend to use adapter No. 02031	
Cat.-No.	—	02023	02024	—	—	—
tubes per rotor	24					
RCF	21,382					
radius in mm	85					
run-up in sec.	20					
run-down in sec. ²⁾	28					
temperature °C ¹⁾	+4					

The special raised rim of the rotor 02428 enables centrifugation of tubes with open lids. The rim supports the lids so they will not rip off during centrifugation. Centrifugation with open tube lids is performed for example when spinning tubes with filter elements, so called „spin columns“

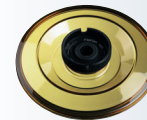
52,5° inner /
40° outer



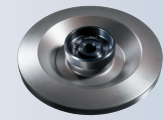
Angle rotor, 30-place,
Cat. No. 02427A
 n= 15,000 min⁻¹,
 max RCF 20.627
 Lid OE3243 incl.

capacity in ml	1.5	0.5/0.8	0,2 /0.4	2.0
dimensions Ø x L mm	11x38	8x30/45	6x18/45	11x38
				
n=15,000 min ⁻¹ Cat.-No. 02427A	with high speeds we recommend to use adapter No. 02031			
Cat.-No.	—	02023	02024	—
tubes per rotor	30			
RCF	20,627			
radius in mm	82			
run-up in sec.	22			
run-down in sec. ²⁾	30			
temperature °C ¹⁾	+4			

Optional for rotor 02424B, 02430B, 02426B and 02427A



Lid (Cat. No. 02425)
with bio-containment autoclavable






Lid (Cat. No. 02423)
with bio-containment autoclavable, phenol-resistant

45°




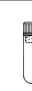
Angle rotor, 32-place, 4x 8
for PCR tubes and strips
Cat. No. 02418A
 n= 15,000 min⁻¹
 max RCF 14,338
 Optional Lid OE3423

capacity in ml	0,2	
dimensions Ø x L mm	6 x 18	PCR strips
		
n=15,000 min ⁻¹ Cat.-No. 02418A		
Cat.-No.	—	
tubes per rotor	32	4 x 8
RCF	14,338	
radius in mm	57	
run-up in sec.	19	
run-down in sec. ²⁾	28	
temperature °C ¹⁾	+4	

40°



Angle rotor, 20-place
for cryo tubes
Cat. No. 02426B
 n= 15,000 min⁻¹
 max RCF 21,130
 Lid OE3243 incl.

capacity in ml	1,8
dimensions Ø x L mm	cryo tubes
	
n=15,000 min ⁻¹ Cat.-No. 02426B	
Cat.-No.	—
tubes per rotor	20
RCF	21,130
radius in mm	84
run-up in sec.	19
run-down in sec. ²⁾	28
temperature °C ¹⁾	+4